



- 1
- 2
- 3
- 4
- 5
- 6
- 7
- 8
- 9
- 10
- 11
- 12
- 13
- 14
- 15
- 16
- 17
- 18
- 19

**STANDARD EXECUTIONS**

Clamping assembly by means of phosphatised steel class 8.8 (GN 707.2-ST) or AISI 304 stainless steel (GN 707.2-NI and GN 706.2-AL) grub screws, cylindrical head with hexagon socket.

Threaded pass-through hole ( $d1 = 20 \div 36$ ).

Threaded blind hole ( $d1 \geq 42$ ).

- **GN 707.2-ST**: sintered black-oxide steel.

- **GN 707.2-AL**: natural aluminium.

- **GN 707.2-NI**: AISI 316LHC sintered stainless steel.

**FEATURES AND APPLICATIONS**

GN 707.2 semi-split set collars can be used not only as end stops, but they can also be used for fixing other components, such as end limit switches.

No risk of damage to the surfaces of the shaft even when high clamping forces are necessary.

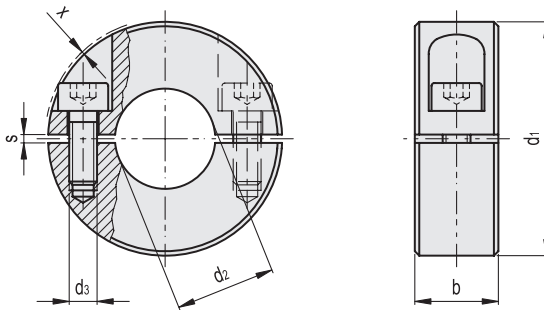
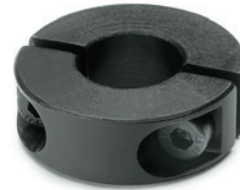
The clamping screws d3 may be replaced by clamping kit GN 311 (see page -).

**TECHNICAL DATA**

Assembly on h11 tolerance shafts.

**SPECIAL EXECUTIONS ON REQUEST**

AISI 316 (GN 707.2-A4) stainless steel executions.



**GN 707.2-AL**



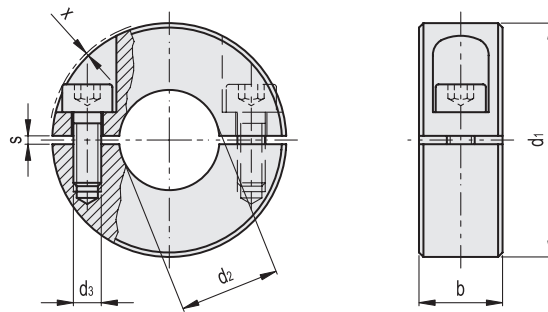
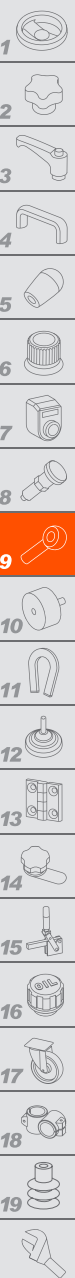
| Codice   | Descrizione        | d1 | d2<br>H10 | d3  | b±0.2 | s   | x*  | Δ  |
|----------|--------------------|----|-----------|-----|-------|-----|-----|----|
| GN.36843 | GN 707.2-20-B6-AL  | 20 | B 6       | M 3 | 9     | 2.1 | 1   | 8  |
| GN.36844 | GN 707.2-22-B8-AL  | 22 | B 8       | M 3 | 9     | 2.1 | 0.8 | 9  |
| GN.36847 | GN 707.2-26-B10-AL | 26 | B 10      | M 4 | 11    | 2.1 | 1.6 | 14 |
| GN.36848 | GN 707.2-30-B12-AL | 30 | B 12      | M 4 | 11    | 2.1 | 0.7 | 6  |
| GN.36853 | GN 707.2-32-B14-AL | 32 | B 14      | M 4 | 11    | 2.1 | 0.7 | 20 |
| GN.36854 | GN 707.2-36-B15-AL | 36 | B 15      | M 5 | 13    | 2.1 | 1.4 | 31 |
| GN.36857 | GN 707.2-36-B16-AL | 36 | B 16      | M 5 | 13    | 2.1 | 1.4 | 30 |
| GN.36858 | GN 707.2-42-B18-AL | 42 | B 18      | M 5 | 15    | 3   | 0.6 | 46 |
| GN.36863 | GN 707.2-42-B20-AL | 42 | B 20      | M 5 | 15    | 3   | 0.6 | 43 |
| GN.36864 | GN 707.2-48-B22-AL | 48 | B 22      | M 5 | 15    | 3   | 0   | 58 |
| GN.36867 | GN 707.2-48-B25-AL | 48 | B 25      | M 5 | 15    | 3   | 0   | 54 |
| GN.36868 | GN 707.2-55-B28-AL | 55 | B 28      | M 6 | 15    | 3   | 0.4 | 72 |
| GN.36873 | GN 707.2-55-B30-AL | 55 | B 30      | M 6 | 15    | 3   | 0.4 | 70 |
| GN.36874 | GN 707.2-60-B32-AL | 60 | B 32      | M 6 | 15    | 4   | 0.4 | 82 |
| GN.36877 | GN 707.2-60-B35-AL | 60 | B 35      | M 6 | 15    | 4   | 0.4 | 76 |
| GN.36878 | GN 707.2-65-B40-AL | 65 | B 40      | M 6 | 15    | 4   | 0.5 | 84 |

**GN 707.2-ST**



| Codice   | Descrizione        | d1 | d2<br>H10 | d3  | b±0.2 | s   | x*  | Δ   |
|----------|--------------------|----|-----------|-----|-------|-----|-----|-----|
| GN.45352 | GN 707.2-16-B4-ST  | 16 | B 4       | M 3 | 9     | 2.1 | 1.2 | 10  |
| GN.45354 | GN 707.2-16-B5-ST  | 16 | B 5       | M 3 | 9     | 2.1 | 1.2 | 11  |
| GN.36776 | GN 707.2-20-B6-ST  | 20 | B 6       | M 3 | 9     | 2.1 | 1   | 16  |
| GN.36778 | GN 707.2-22-B8-ST  | 22 | B 8       | M 3 | 9     | 2.1 | 0.8 | 18  |
| GN.36780 | GN 707.2-26-B10-ST | 26 | B 10      | M 4 | 11    | 2.1 | 1.6 | 30  |
| GN.36782 | GN 707.2-30-B12-ST | 30 | B 12      | M 4 | 11    | 2.1 | 0.7 | 39  |
| GN.36784 | GN 707.2-32-B14-ST | 32 | B 14      | M 4 | 11    | 2.1 | 0.7 | 43  |
| GN.36786 | GN 707.2-36-B15-ST | 36 | B 15      | M 5 | 13    | 2.1 | 1.4 | 60  |
| GN.36788 | GN 707.2-36-B16-ST | 36 | B 16      | M 5 | 13    | 2.1 | 1.4 | 64  |
| GN.36790 | GN 707.2-42-B18-ST | 42 | B 18      | M 5 | 15    | 3   | 0.6 | 104 |
| GN.36792 | GN 707.2-42-B20-ST | 42 | B 20      | M 5 | 15    | 3   | 0.6 | 98  |
| GN.36794 | GN 707.2-48-B22-ST | 48 | B 22      | M 5 | 15    | 3   | 0   | 134 |
| GN.36796 | GN 707.2-48-B25-ST | 48 | B 25      | M 5 | 15    | 3   | 0   | 120 |
| GN.36798 | GN 707.2-55-B28-ST | 55 | B 28      | M 6 | 15    | 3   | 0.4 | 165 |
| GN.36800 | GN 707.2-55-B30-ST | 55 | B 30      | M 6 | 15    | 3   | 0.4 | 140 |
| GN.36802 | GN 707.2-60-B32-ST | 60 | B 32      | M 6 | 15    | 4   | 0.4 | 187 |
| GN.36804 | GN 707.2-60-B35-ST | 60 | B 35      | M 6 | 15    | 4   | 0.4 | 170 |
| GN.36806 | GN 707.2-65-B40-ST | 65 | B 40      | M 6 | 15    | 4   | 0.5 | 189 |

Standard machine parts



GN 707.2-NI

INOX STAINLESS STEEL METRIC

| Code     | Description        | d1 | d2 H10 | d3  | b±0.2 | s   | x*  | ⚖   |
|----------|--------------------|----|--------|-----|-------|-----|-----|-----|
| GN.45351 | GN 707.2-16-B4-NI  | 16 | B 4    | M 3 | 9     | 2.1 | 1.2 | 10  |
| GN.45353 | GN 707.2-16-B5-NI  | 16 | B 5    | M 3 | 9     | 2.1 | 1.2 | 11  |
| GN.36775 | GN 707.2-20-B6-NI  | 20 | B 6    | M 3 | 9     | 2.1 | 1   | 16  |
| GN.36777 | GN 707.2-22-B8-NI  | 22 | B 8    | M 3 | 9     | 2.1 | 0.8 | 18  |
| GN.36779 | GN 707.2-26-B10-NI | 26 | B 10   | M 4 | 11    | 2.1 | 1.6 | 31  |
| GN.36781 | GN 707.2-30-B12-NI | 30 | B 12   | M 4 | 11    | 2.1 | 0.7 | 38  |
| GN.36783 | GN 707.2-32-B14-NI | 32 | B 14   | M 4 | 11    | 2.1 | 0.7 | 42  |
| GN.36785 | GN 707.2-36-B15-NI | 36 | B 15   | M 5 | 13    | 2.1 | 1.4 | 69  |
| GN.36787 | GN 707.2-36-B16-NI | 36 | B 16   | M 5 | 13    | 2.1 | 1.4 | 63  |
| GN.36789 | GN 707.2-42-B18-NI | 42 | B 18   | M 5 | 15    | 3   | 0.6 | 105 |
| GN.36791 | GN 707.2-42-B20-NI | 42 | B 20   | M 5 | 15    | 3   | 0.6 | 93  |
| GN.36793 | GN 707.2-48-B22-NI | 48 | B 22   | M 5 | 15    | 3   | 0   | 138 |
| GN.36795 | GN 707.2-48-B25-NI | 48 | B 25   | M 5 | 15    | 3   | 0   | 110 |
| GN.36797 | GN 707.2-55-B28-NI | 55 | B 28   | M 6 | 15    | 3   | 0.4 | 165 |
| GN.36799 | GN 707.2-55-B30-NI | 55 | B 30   | M 6 | 15    | 3   | 0.4 | 145 |
| GN.36801 | GN 707.2-60-B32-NI | 60 | B 32   | M 6 | 15    | 4   | 0.4 | 188 |
| GN.36803 | GN 707.2-60-B35-NI | 60 | B 35   | M 6 | 15    | 4   | 0.4 | 150 |
| GN.36805 | GN 707.2-65-B40-NI | 65 | B 40   | M 6 | 15    | 4   | 0.5 | 180 |

\* Max protrusion of the screw head.